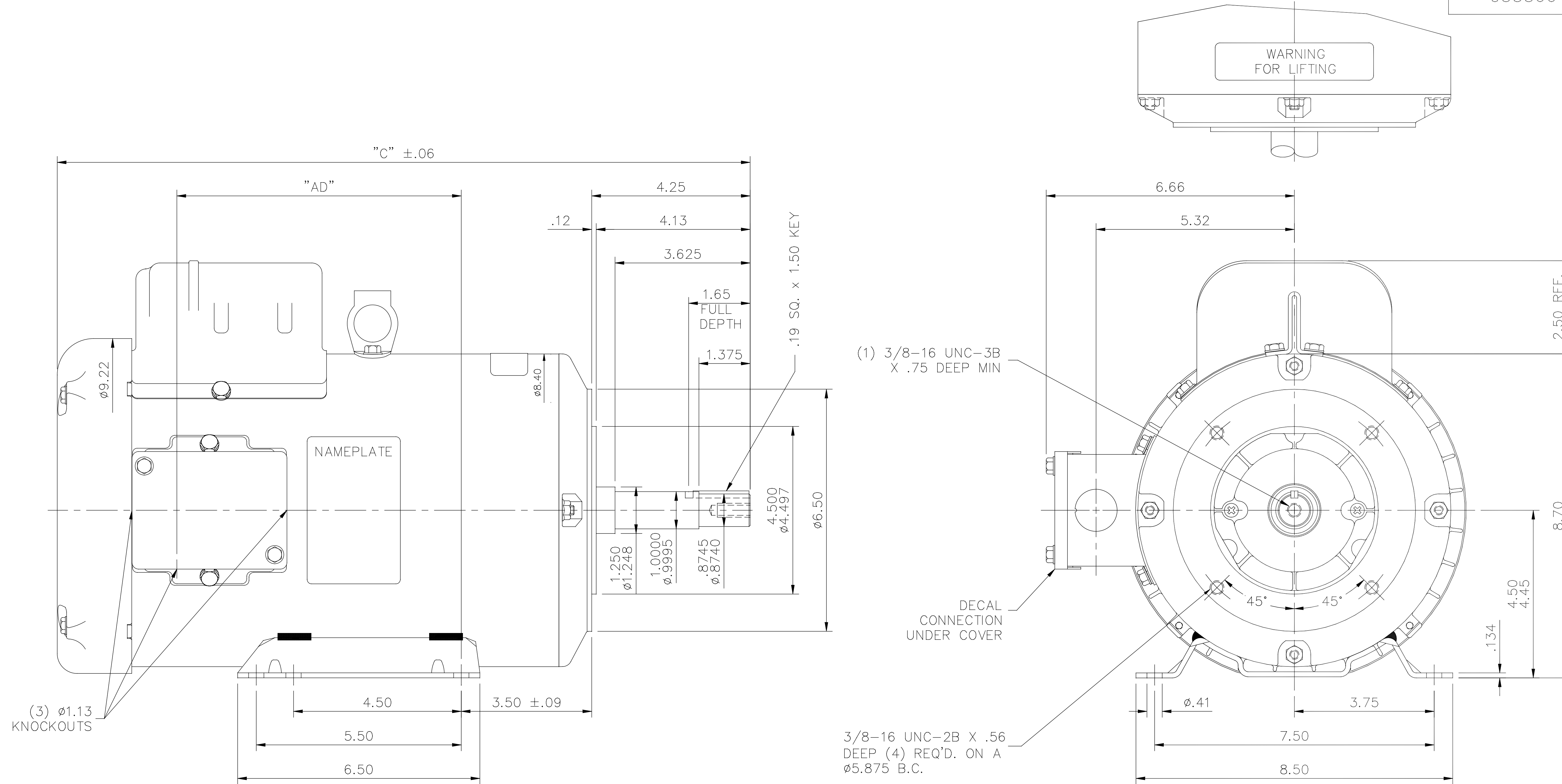


035566



GASKETS THROUGHOUT  
 MAXIMUM FACE RUNOUT TO BE .004 T.I.R.  
 MAXIMUM PILOT ECCENTRICITY TO BE .004 T.I.R.  
 PERMISSIBLE SHAFT RUNOUT TO BE .004 T.I.R.

DASH NO.	"C"	"AD"
850	15.59	4.63
900	16.09	5.13
950	16.59	5.63
1000	17.09	6.13
1050	17.59	6.63
1100	18.09	7.13
1150	18.59	7.63
1200	19.09	8.13

TOLERANCES UNLESS SPECIFIED		REGAL™ Regal Beloit America, Inc.		DRAWN KVN 09/12/2007	
DEC.	INCHES	CHK	GR	APPD	SCALE
.X	±0				3=8
.XX	±0	TITLE		OUTLINE - 180JM FRAME TEFC - RIGID "C"	
.XXX	±0	MATERIAL		REF	
.XXXX	±0	FINISH		FMF 184TBF7315	
NO.	REVISION	BY & DATE	CHK	ANG	PREV
02	LOGO CHANGED MARATHON TO REGAL	LK 10/19/2015	GR	±0	
01	CHANGE TO NEW C/BOX 022737.	YS 04/22/08		±0	
THIS DRAWING IN DESIGN AND DETAIL IS OUR PROPERTY AND MUST NOT BE USED EXCEPT IN CONNECTION WITH OUR WORK ALL RIGHTS OF DESIGN AND INVENTION ARE RESERVED THIS IS AN ELECTRONICALLY GENERATED DOCUMENT - DO NOT SCALE THIS PRINT			RFP	CAD FILE	035566
			DIST	SIZE	DRAWING NO. REV.
				B	035566 02